

# ABLOY® EL480, EL482 AND PE480 SCANDINAVIAN RANGE SOLENOID LOCKS WITH HANDLE CONTROL



**ABLOY®** EL480 and PE480 are especially suited for use in exit doors because inside handle (EN 179) or panic bar (EN 1125) enables egress at all times.

## TECHNICAL DETAILS

Operating voltage	12 - 24 V DC (-10%/+15%, stab)
Current	max. 0.55A (12V DC) idle 0.24A (12V DC) max. 0.27A (24V DC) idle 0.11A (24V DC)
Temperature range	-20 - +60°C
Bolt throw	14 mm
Backset	29, 35 mm
Forend	25 mm
Spindle	8 mm

## FINISH

Chrome plated forend

## PACKAGE

Lock case, connection plugs, fixing screws, striker plate EA307, split spindle (EL480, PE480), lock case manual

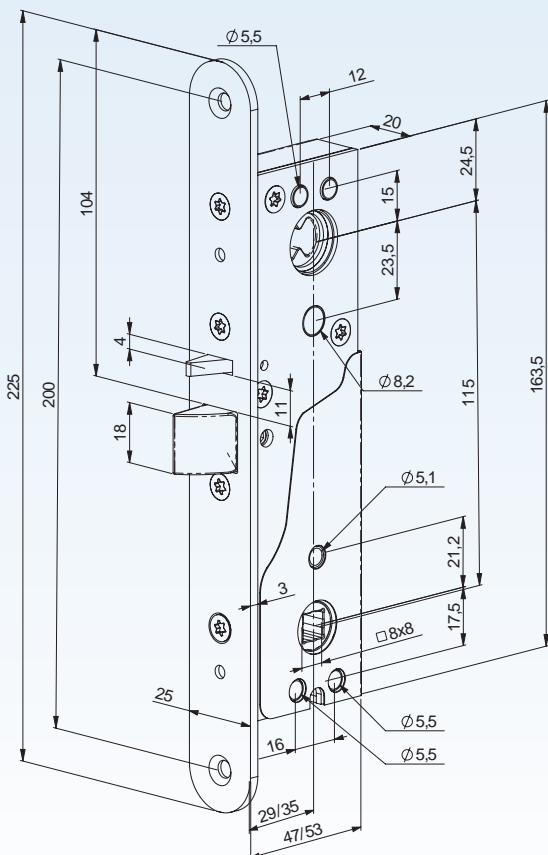
## CYLINDERS

- Scandinavian oval and round cylinders:  
**ABLOY® PROTEC**, **ABLOY® DISKLOCK PRO**, ASSA, RUKO, TrioVing or other
- Finnish type cylinders:  
**ABLOY® PROTEC**, **ABLOY® DISKLOCK PRO**, **ABLOY® CLASSIC**

## STANDARDS

- EN 1634-1	Fire resistance
- EN 61000-6-1: 2007	EMC
- EN 61000-6-3: 2007	EMC
- EN 12209: 2004	Mechanical resistance
- EN 179: 2008	Emergency exit (EL480)
- EN 1125: 1997/A1: 2001	Panic exit (PE480)

## DIMENSIONS



## ELECTROMECHANICAL LOCK CASES **ABLOY® EL480, EL482 AND PE480 WITH HANDLE CONTROL**



## APPLICATIONS

**ABLOY® EL480, EL482 and PE480** are recommended to be used in interior doors of business premises, public buildings, hospitals, educational premises and the exterior doors of apartment buildings and detached houses.

Handle controlled locks are best suited in medium traffic doors. The locks can be used in both exit and fire rated doors (EN). They are not suitable for use with door automatics.

The locks can be electrically controlled by a variety of access control systems or remote control equipment such as push button, keypad or timer.

## FEATURES

- Increased protection against manipulation (bolt is deadlocked only when door is closed)
- Minimal electricity consumption in standstill (due to low current feature during continuous control)
- Wide operating voltage range

## OPERATION

Handle controlled locks can be set to function as fail locked or as fail unlocked. In the fail locked setting, the lock can be opened by handle when power is on and cannot be opened by handle when power is off. In the fail unlocked setting, the electrical function is reversed. The locks are always automatically deadlocked when the door is closed.

In **ABLOY® EL480 and PE480** the outside handle is electrically controlled. The lock can always be opened by inside handle (EL480/ EN 179) or by panic bar (PE480/ EN 1125). In order to function correctly, the handle requires a split spindle. Mechanical opening by cylinder is always possible.

In **ABLOY® EL482** both inside and outside handles are electrically controlled. Mechanical opening by cylinder or thumbturn is always possible.

## SETTABLE FUNCTIONS

Following functions can be set at the installation phase:

- Handing of bolt
- Side of exit handle (EL480, PE480) depending on escape direction
- Power failure status: fail locked / fail unlocked

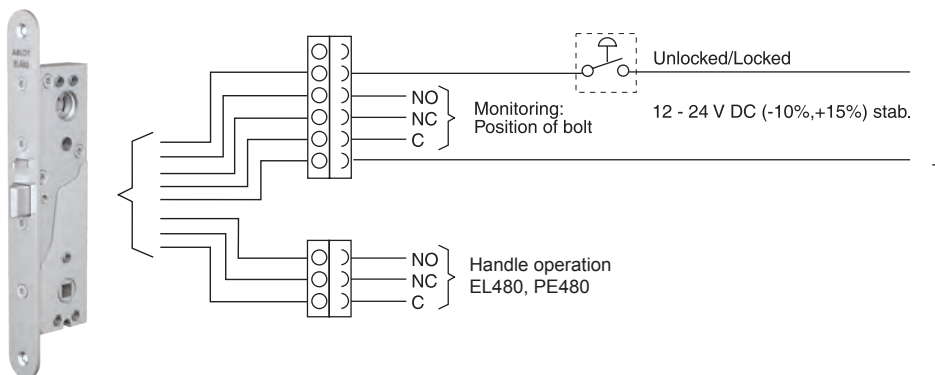
## MONITORING

The locks are equipped with the following monitoring outputs:

- Position of bolt
- Handle operation



## WIRING PRINCIPLE



## COMPATIBILITY CHART FOR CYLINDERS AND ACCESSORIES (please order separately)

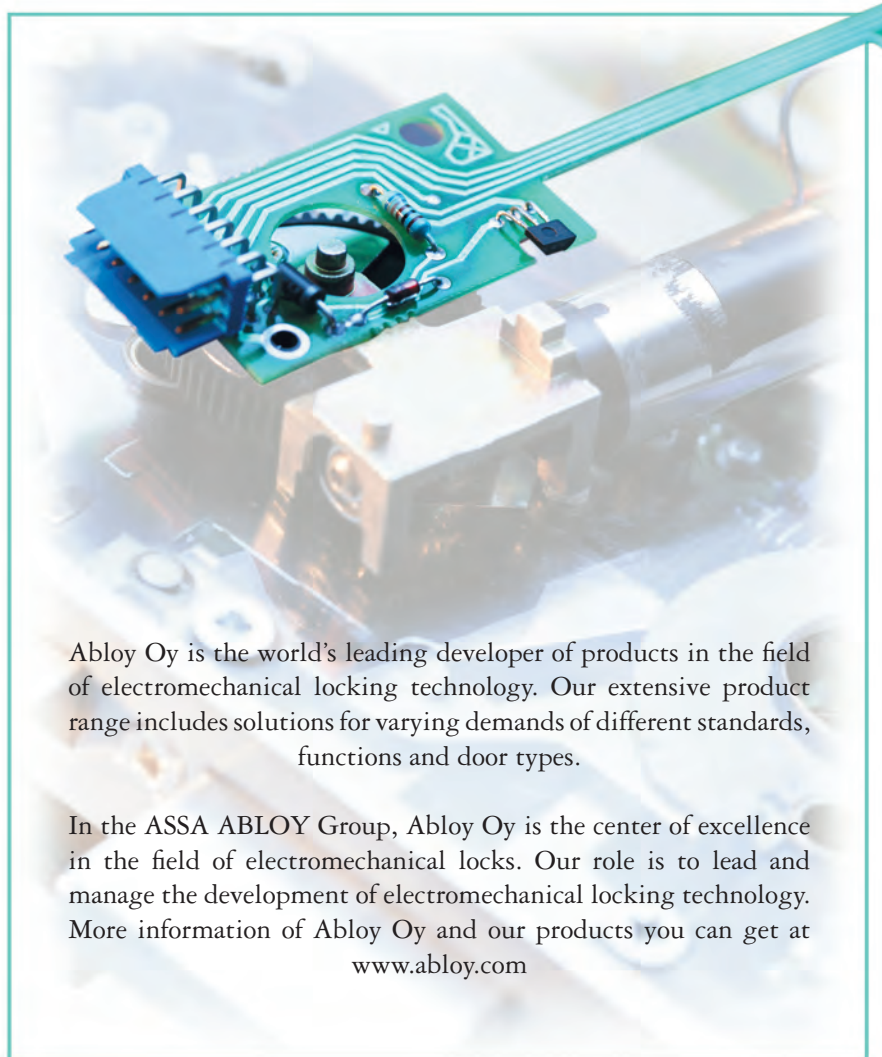
CYLINDERS AND FITTINGS				ACCESSORIES			
		ABLOY® CLASSIC	ABLOY® DISKLOCK PRO (D) ABLOY® PROTEC (N)	HANDLE / PANIC BAR	STRIKE	CABLE	LEAD COVER
EL480, PE480	Single w/ plate	CY047C	CY047D, N (F) CY201D, N (SO)**)	See ABLOY Architectural Hardware brochures.  Panic bar for PE480: PBE001  It is recommended to use handles with return springs on both sides of the door.	EA308 4613 4614	EA210 (6m) EA220 (10m)	EA280 EA281
	EL482	Single w/ thumbturn	CY066C*)				
	Double	CY067C	CY067D, N (F) CY202D, N 6412/(SO)				

\*) compatible with emergency exit dome 6428

\*\*\*) CY201 single cylinder only, without plate / thumbturn

SO = Scandinavian oval  
F= Finnish

## ABLOY® - The sign for security



Abloy Oy is the world's leading developer of products in the field of electromechanical locking technology. Our extensive product range includes solutions for varying demands of different standards, functions and door types.

In the ASSA ABLOY Group, Abloy Oy is the center of excellence in the field of electromechanical locks. Our role is to lead and manage the development of electromechanical locking technology. More information of Abloy Oy and our products you can get at [www.abloy.com](http://www.abloy.com)

This document may not be used in the installation of a lock. Drilling and wiring diagrams and installation instructions are included in the installation manual, which is included in each lock case package.

We reserve the right to make alterations to the products described in this leaflet.



[www.abloy.com](http://www.abloy.com)

Abloy Oy  
Wahlforssinkatu 20  
P.O.Box 108  
FI-80101 JOENSUU  
FINLAND  
Tel. +358 20 599 2501  
Fax +358 20 599 2209

