

EL460

For narrow stile doors, with anti-friction bolt, fail locked/fail unlocked. Outside handle controlled

Meets EN1125 when used with 990001-SE panic bar

Inside handle operates at all times

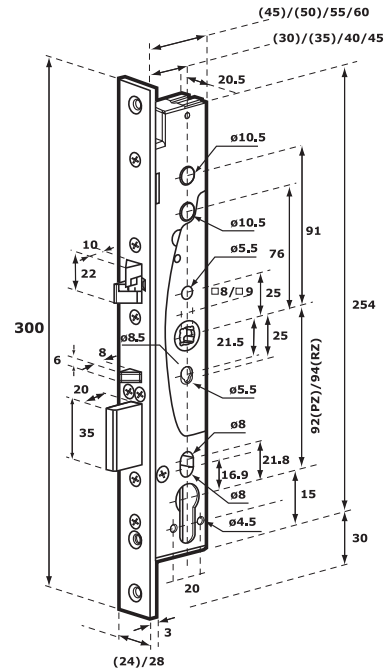
HIGH SECURITY ★★★★★

EL461

For narrow stile doors, with anti-friction bolt, fail locked/fail unlocked.

Both handles electrically controlled

HIGH SECURITY ★★★★★

**Features**

- Easily reversible trigger bolt, suitable for all hands of door
- Quick change fail locked to fail unlocked
- Deadbolt and anti-friction bolt deadlock when door closes
- Meets EN179 for emergency exit doors (EL460 only) and EN1634-1 for fire resistance (when used with correct exit hardware)

- Tested to mechanical resistance EN12209
- Key override at all times

Monitoring

- Request to Exit (RQE) on inside handle (EL460)
- Bolt position
- Door position
- Cylinder operation

Fitting

- For wooden doors please add 10mm to lockcase height above fitting to allow for cable socket and plug
- For wooden doors forend extension will be required



TECHNICAL SPECIFICATION	EL460	EL461
Operating voltage +15%, -10%	12V DC to 24V DC stabilised	12V DC to 24V DC stabilised
Current max		
12V DC	350mA	350mA
24V DC	250mA	250mA
Temperature (°C)	-20 to +60	-20 to +60
Backset (mm)		
Standard	30, 35	30, 35
Special	40, 45	40, 45
Forend (mm)		
Standard	24	24
Special	28	28
Follower (mm)	9	9
Split spindle (mm)	8	8
Forend finish	SSS	SSS

ACCESSORIES	EL460	EL461
Cylinder double	–	CY327/CY322 CY337/CY332
Cylinder single	CY326/CY321 CY336/CY331	–
Cylinder and turn	–	CY328/CY323 CY338/CY333
Strike (included)	EA322	EA322
Handles (Futura)	60-0819-SSS	60-0819-SSS
(Inoxi)	3-19X/013PZ+PZ-SSS	3-19X/013PZ+PZ-SSS
Cable (included)	EA218 (inc)	EA218 (inc)
Spindle converter (8-9mm) included	807227	807227

NB. Unless otherwise stated all electro-mechanical lockcase cylinders will be supplied as ABLOY PROTEC

SSS: Satin stainless steel.

For handles please see pages 24-27.

EN1125 solution	EL460
Panic bar	990001-SE

New Product

